



NEW! 25-YEAR LINEAR
PERFORMANCE AND
PRODUCT WARRANTY
EXTENDED TO 5 YEARS*

Length 1675 mm
Width 1001 mm
Height 1) 31 mm
Frame Aluminium
Weight 22 kg

Sunmodule⁺®

SW 220/225/230/235 POLY

German Quality

Using SolarWorld, you opt for brand-name products of the highest quality, manufactured according to German quality standards.

Award-winning products

SolarWorld modules received top honors in two independent performance tests: Ranked #1 module for the past two consecutive years in the long-term test carried out by the Photon trade magazine and in "Öko Test" for sustainability, SW 225 poly was graded "very good".

SolarWorld Plus Sorting

Plus Sorting guarantees the highest efficiency of the installation. SolarWorld only delivers modules that have greater than or equal to the nameplate rated power.

25 year Linear Performance Guarantee*

SolarWorld guarantees, over 25 years, that the modules' performance will not decrease by more than 0.7% p.a. – a distinct added value compared to the two-tiered guarantees usual in the industry. In addition, there is a product warranty extended to 5 years.

*according to the Solar World service certificate valid at the time of purchase
www.solarworld-global.com/service-certificate



We turn sunlight into power.

Sunmodule⁺

SW 220/225/230/235 POLY

PERFORMANCE UNDER STANDARD TEST CONDITIONS (STC*)

		SW 220	SW 225	SW 230	SW 235
Maximum power	P_{max}	220 Wp	225 Wp	230 Wp	235 Wp
Open circuit voltage	U_{oc}	36,6 V	36,8 V	36,9 V	37,0 V
Maximum power point voltage	U_{mpp}	29,2 V	29,5 V	29,8 V	30,0 V
Short-circuit current	I_{sc}	8,08 A	8,17 A	8,25 A	8,35 A
Maximum power point current	I_{mpp}	7,54 A	7,63 A	7,72 A	7,85 A

*STC: 1000W/m², 25°C, AM 1.5

PERFORMANCE AT 800 W/M², NOCT, AM 1.5

		SW 220	SW 225	SW 230	SW 235
Maximum power	P_{max}	157,3 Wp	160,9 Wp	164,4 Wp	170,4 Wp
Open circuit voltage	U_{oc}	33,1 V	33,3 V	33,4 V	33,5 V
Maximum power point voltage	U_{mpp}	26,2 V	26,5 V	26,7 V	27,1 V
Short-circuit current	I_{sc}	6,68 A	6,75 A	6,82 A	6,73 A
Maximum power point current	I_{mpp}	6,01 A	6,08 A	6,15 A	6,28 A

Minor reduction in efficiency under partial load conditions at 25°C: at 200W/m², 95% (+/-3%) of the STC efficiency (1000 W/m²) is achieved.

COMPONENT MATERIALS

Cells per module	60
Cell type	Poly crystalline
Cell dimensions	156 mm x 156 mm
Front	tempered glass (EN12150)

SYSTEM INTEGRATION PARAMETERS

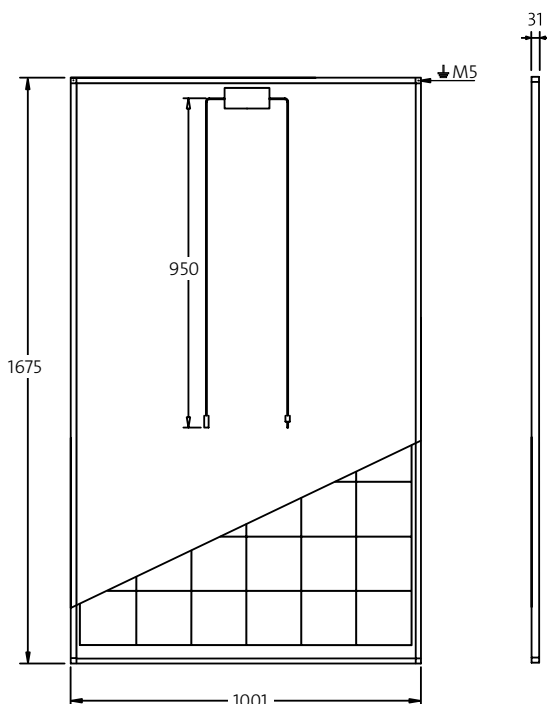
Maximum system voltage SC II	1000 V
Maximum reverse current	16 A
Increased Snowload acc. to IEC 61215	5,4 kN/m ²

THERMAL CHARACTERISTICS

NOCT	46 °C
TC I_{sc}	0,034 %/K
TC U_{oc}	-0,34 %/K
TC P_{mpp}	-0,48 %/K

ADDITIONAL DATA

Power tolerance	+/- 3 %
Junction box	IP65
Connector	MC4
SolarWorld Plus-Sorting 2)	$P_{Flash} \geq P_{max}$



- Qualified, IEC 61215
- Safety tested, IEC 61730
- Periodic Inspection



- 1) Temporarily, also modules with a frame height of 34mm can be supplied. Please inquire with your specialist dealer.
 - 2) The output identified by SolarWorld (P_{Flash}) is always higher than the nominal output (P_{max}) of the module.
 - 3) depending on the market
- SolarWorld AG reserves the right to make specification changes without notice. This data sheet complies with the requirements of EN 50380.